



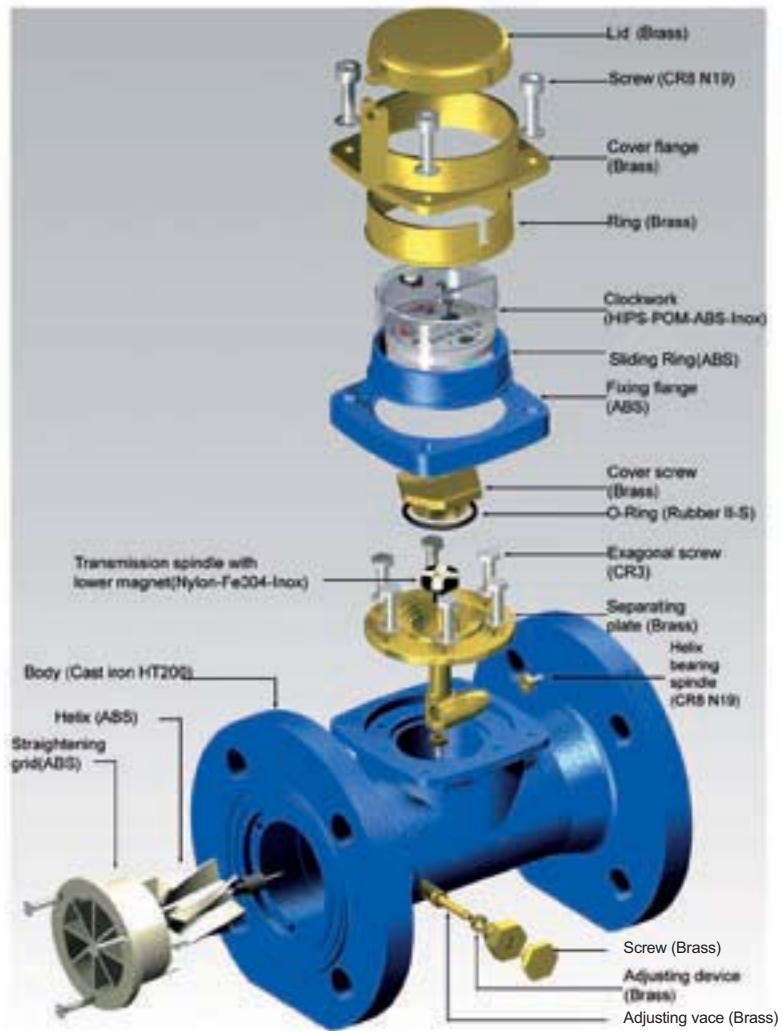
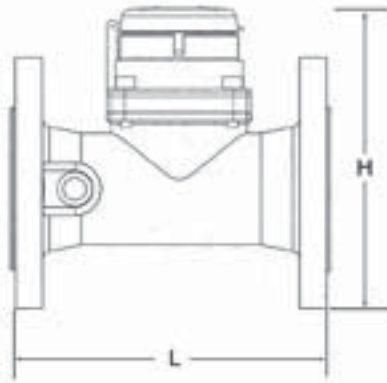
Kappa-We-Sdc

Helix Woltmann type water meter
enclosed construction mechanism-dry dial

AHS
alpe
HYDRAULIC SYSTEMS

Helix Woltmann type water meter enclosed construction mechanism-dry dial

Water meter for cold water, helix Woltmann type. The helix aligns with pipe axis.
 The water meter is designed to ensure high flow rate with minimum head-loss.
 It is a Superdry dial type: the gears and the totalizer operate under vacuum conditions in a dry compartment, only the helix is submerged in water.
 Transmission is achieved through a corrosion-proof magnetic drive which is protected from external magnetic fields.
 The water meter is pre-equipped for application of a pulse emitter.



TECHNICAL DATA AND DIMENSIONS

GAUGE	mm	50	65	80	100	125	150	200	250	300
	Inches	2"	2.1/2"	3"	4"	5"	6"	8"	10"	12"
Qmax	m ³ /h	30	50	80	120	120	300	500	800	1200
Qn	m ³ /h	15	25	40	60	60	150	250	400	600
Qt	m ³ /h	4,5	7,5	12	18	18	45	75	120	180
Qmin	m ³ /h	1,2	2	3,2	4,8	4,8	12	20	32	48
PN	bar	16	16	16	16	16	16	16	16	16
Pressure loss (at Qmax)	bar	<0,2	<0,2	<0,2	<0,2	<0,2	<0,2	<0,2	<0,2	<0,2
Minimum reading	lt	0,5	0,5	0,5	5	5	5	50	50	50
Maximum reading	m ³	10 ⁶	10 ⁷	10 ⁷	10 ⁷	10 ⁷	10 ⁷	10 ⁸	10 ⁸	10 ⁸
Weight	Kg	8,5	10,00	12,50	16,00	20,00	28,00	38,00	61,00	125,00
Length (L)	mm	200	200	225	250	250	300	350	400	500
Height (H)	mm	196	196	245	250	260	295	357	449	505

